

ICC/ANSI A117.1-1998
American National Standard



*Accessible and Usable
Buildings and Facilities*

ICC/ANSI A117.1-1998



703 Signs

703.1 General. Accessible signs shall comply with Section 703.

703.2 Characters that are both Tactile and Visual. Characters required to be tactile shall comply with Sections 703.2.1 through 703.2.8.

EXCEPTION: Tactile characters complying with Section 703.3, where separate visual characters complying with Section 703.4 provide the same information.

703.2.1 Braille. Tactile characters shall be duplicated in Braille complying with Section 703.5.

703.2.2 Finish and Contrast. Characters and their background shall have a **non-glare finish**. Characters shall contrast with their background, with either light characters on a dark background, or dark characters on a light background.

703.2.3 Tactile Character Depth. Tactile characters shall be raised $\frac{1}{32}$ inch (0.8 mm) minimum above their background. Raised borders and elements that are not required shall be $\frac{3}{8}$ inch (9.5 mm) minimum from tactile characters.

703.2.4 Character Forms. Fonts shall have characters complying with Sections 703.2.4.1 through 703.2.4.5.

703.2.4.1 Case. Characters shall be uppercase.

703.2.4.2 Style. Characters shall be **sans serif**. Characters shall not be italic, oblique, script, highly decorative, or of other unusual forms.

703.2.4.3 Width. Character width shall be 55 percent minimum and 110 percent maximum of the height of the character, with the width based on the uppercase letter "O" and the height based on the uppercase letter "I."

703.2.4.4 Height. Character height, measured vertically from the baseline of the character, shall be $\frac{5}{8}$ inch (16 mm) minimum, and 2 inches (51 mm) maximum, based on the uppercase letter "I."

703.2.4.5 Stroke Thickness. Characters with rectangular cross sections shall have a stroke thickness which is 10 percent minimum, and 15 percent maximum, of the height of the character, based on the uppercase letter "I". Characters with other cross

Summary Notes by Manufacturer

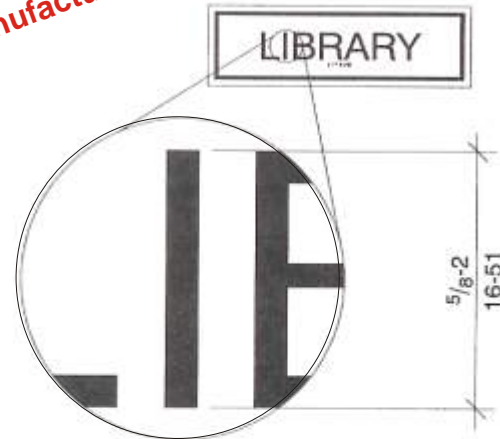


Fig. 703.2.4.4 Character Height

sections shall have a stroke thickness at the base of the cross sections which is 10 percent minimum, and 30 percent maximum, of the height of the character, and a stroke thickness at the top of the cross sections which is 15 percent maximum of the height of the character, based on the uppercase letter "I".

703.2.5 Character Spacing. Spacing shall be measured between the two closest points of adjacent characters within a message, excluding word spaces. Where characters have rectangular cross sections, spacing between individual characters shall be $\frac{1}{8}$ inch (3 mm) minimum and $\frac{3}{8}$ inch (10 mm) maximum. Where characters have other cross sections, spacing between individual characters shall be $\frac{1}{16}$ inch (2 mm) minimum and $\frac{3}{8}$ inch (10 mm) maximum at the base of the cross sections, and $\frac{1}{8}$ inch (3 mm) minimum and $\frac{3}{8}$ inch (10 mm) maximum at the top of the cross sections.

703.2.6 Line Spacing. Spacing between the baselines of separate lines of characters shall be 135 percent minimum to 170 percent maximum of the character height.

703.2.7 Mounting Height. Characters shall be 48 inches (1220 mm) minimum and 60 inches (1525 mm) maximum above the adjacent floor or ground surface, measured from the baseline of the characters.

EXCEPTION: Elevator car controls.

703.2.8 Mounting Location. Where a sign containing tactile characters is provided at a door, the sign shall be alongside the door on the latch side. Where a tactile sign is provided at double doors, the sign shall be to the right of the

Non-Glare Finish

Letter Thickness

Serifs

Letter Height

Install Height

Install Location

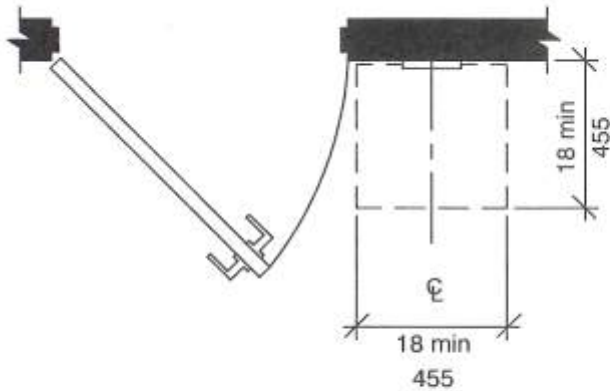


Fig. 703.2.8
Mounting Location at Doors

right-hand door. Where there is no wall space on the latch side of a single door, or to the right side of double doors, signs shall be on the nearest adjacent wall. Signs containing tactile characters shall have an 18 inch (455 mm) minimum by 18 inch (455 mm) minimum space on the floor or ground, centered on the sign, beyond the arc of any door swing between the closed position and 45 degree open position.

EXCEPTION: Door-mounted signs shall be permitted on the push side of doors with closers and without hold-open devices.

703.3 Tactile Characters. Where tactile characters are required, and separate tactile and visual characters with the same information are provided, tactile characters shall comply with Sections 703.3.1 through 703.3.7 and visual characters shall comply with Section 703.4.

703.3.1 Braille. Tactile characters shall be duplicated in Braille complying with Section 703.5.

703.3.2 Tactile Character Depth. Tactile characters shall be raised $\frac{1}{32}$ inch (0.8 mm) minimum above their background. Raised borders and elements that are not required shall be $\frac{3}{8}$ inch (9.5 mm) minimum from tactile characters.

703.3.3 Character Forms. Fonts shall have characters complying with Sections 703.3.3.1 through 703.3.3.5.

703.3.3.1 Case. Characters shall be uppercase.

703.3.3.2 Style. Characters shall be sans serif. Characters shall not be italic, oblique, script, highly decorative, or of other unusual forms.

703.3.3.3 Width. Character width shall be 55 percent minimum and 110 percent maximum the height of the character, with the width based on the uppercase letter "O," and the height based on the uppercase letter "I."

703.3.3.4 Height. Character height, measured vertically from the baseline of the character, shall be $\frac{1}{2}$ inch (13 mm) minimum, and $\frac{3}{4}$ inch (19 mm) maximum, based on the height of the uppercase letter "I."

703.3.3.5 Stroke Thickness. Characters shall have a stroke thickness which is 15 percent maximum of the height of the character, based on the uppercase letter "I."

703.3.4 Character Spacing. Spacing shall be measured between the two closest points of adjacent characters within a message, excluding word spaces. Spacing between individual characters shall be $\frac{1}{8}$ inch (3 mm) minimum to $\frac{1}{4}$ inch (6 mm) maximum.

703.3.5 Line Spacing. Spacing between the baseline of separate lines of characters within a message shall be 135 percent minimum and 170 percent maximum of the character height.

703.3.6 Mounting Height. Characters shall be 48 inches (1220 mm) minimum and 60 inches (1515 mm) maximum above the adjacent floor or ground surface, measured from the baseline of the characters.

EXCEPTION: Elevator car controls.

703.3.7 Mounting Location. Where a tactile sign is provided at a door, the sign shall be alongside the door on the latch side. Where a tactile sign is provided at double doors, the sign shall be to the right of the right-hand door. Where there is no wall space on the latch side of a single door, or to the right side of double doors, signs shall be on the nearest adjacent wall. Signs containing tactile characters shall have an 18 inch (455 mm) minimum by 18 inch (455 mm) minimum space on the floor or ground, centered on the sign, beyond the arc of any door swing between the closed position and 45 degree open position.

EXCEPTION: Door-mounted signs shall be permitted on the push side of doors with closers and without hold-open devices.

703.4 Visual Characters. Accessible visual characters shall comply with Sections 703.4.1 through 703.4.5.

When
Using
Separate
Visual &
Tactile

Continued...

703.4.1 Finish and Contrast. Characters and their background shall have a non-glare finish. Characters shall contrast with their background, with either light characters on a dark background, or dark characters on a light background.

703.4.2 Character Forms. Fonts shall have characters complying with Sections 703.4.2.1 through 703.4.2.5.

703.4.2.1 Case. Characters shall be uppercase, lowercase, or a combination of both.

703.4.2.2 Style. Characters shall be conventional in form. Characters shall not be italic, oblique, script, highly decorative, or of other unusual forms.

703.4.2.3 Width. Character width shall be 55 percent minimum and 110 percent maximum the height of the character, with the width based on the uppercase letter "O," and the height based on the uppercase "I."

703.4.2.4 Height. Minimum character height, measured from the baseline of the character, shall comply with Table 703.4.2.4, based on the height of the characters above the floor or ground of the viewing location and the minimum viewing distance. Character height shall be based on the uppercase letter "I." Minimum viewing

distance shall be measured as the horizontal distance where an obstruction prevents further approach toward the sign.

703.4.2.5 Stroke Thickness. Characters shall have a stroke thickness which is 10 percent minimum, and 30 percent maximum, the height of the character, based on the uppercase letter "I."

703.4.3 Character Spacing. Spacing shall be the two closest points of adjacent characters within a message, excluding word spaces. Spacing between individual characters shall be 10 percent minimum and 35 percent maximum of character height.

703.4.4 Line Spacing. Spacing between the baselines of separate lines of characters within a message shall be 135 percent minimum to 170 percent maximum of character height.

703.4.5 Mounting Height. Visual characters shall be 40 inches (1015 mm) minimum above the floor or ground of the viewing position. Mounting heights shall comply with Table 703.4.2.4, based on the size of the characters on the sign.

703.5 Braille. Tactile characters shall be accompanied by Grade II Braille complying with Sections 703.5.1 through 703.5.4 and Table 703.5. Braille dots shall have a domed or rounded shape.

When Using Separate Visual & Tactile (Con't)

Dome Top Braille

Table 703.4.2.4—Minimum Character Heights for Visual Signs

Height above Floor or Ground to Top of Character	Minimum Viewing Distance	Minimum Character Height	Notes
40 inches - ≤70 inches (1015 mm - 1780 mm)	≤ 6 feet (1830 mm)	5/8 inch (16 mm)	Except elevators
40 inches - ≤70 inches (1015 mm - 1780 mm)	> 6 feet (1830 mm)	5/8 inch (16 mm), plus 1/8 inch per foot (3.2 mm per 305 mm) of viewing distance beyond 6 feet (1830 mm)	Except elevators
>70 inches - ≤120 inches (1780 mm - 3050 mm)	≤ 15 feet (4570 mm)	2 inches (51 mm)	
>70 inches - ≤120 inches (1780 mm - 3050 mm)	> 15 feet (4570 mm)	2 inches (51 mm), plus 1/8 inch per foot (3.2 mm per 305 mm) of viewing distance beyond 15 feet (4570 mm)	
> 120 inches (3050 mm)	≤ 21 feet (6400 mm)	3 inches (75 mm)	
> 120 inches (3050 mm)	> 21 feet (6400 mm)	3 inches (75 mm), plus 1/8 inch per foot (3.2 mm per 305 mm) of viewing distance beyond 21 feet (6400 mm)	

Wall Mount or Overhead

Letter Height - Hanging Signs

Could be 2" Ht. if Viewing Distance Only 15'

Table 703.5—Measurement Range for Standard Sign Braille

Measurement Range for:	Minimum	Maximum
Dot base diameter	0.059 inch (1.5 mm)	0.063 inch (1.6 mm)
Distance between two dots in same cell, center to center	0.090 inch (2.3 mm)	0.100 inch (2.5 mm)
Distance between corresponding dots in adjacent cells, center to center	0.241 inch (6.1 mm)	0.300 inch (7.6 mm)
Dot Height	0.025 inch (0.6 mm)	0.037 inch (0.9 mm)
Distance between corresponding dots from one cell to the cell directly below, center to center	0.395 inch (10.0 mm)	0.400 inch (10.1 mm)

703.5.1 Location. Braille shall be below the corresponding text. If text is multilined, Braille shall be placed below entire text. Braille shall be separated $\frac{3}{8}$ inch (9.5 mm) minimum from any other tactile characters.

Braille Location

EXCEPTION: Braille provided on elevator car controls shall be separated $\frac{3}{16}$ inch (4.8 mm) minimum either directly below or adjacent to the corresponding raised characters or symbols.

703.5.2 Raised Elements and Borders. Raised borders and elements that are not required shall be $\frac{3}{8}$ inch (10 mm) minimum from tactile characters.

703.5.3 Height. Braille shall be 40 inches (1015 mm) minimum, and 60 inches (1525 mm) maximum, above the floor or ground, measured from the baseline of the Braille cells.

EXCEPTION: Elevator car controls.

703.5.4 Braille Standard. Braille shall comply with literary Braille.

EXCEPTION: The indication of an upper-case letter or letters shall only be used before the first word of sentences, proper nouns and names, individual letters of the alphabet, initials, or acronyms.

703.6 Pictograms. Pictograms shall comply with Sections 703.6.1 through 703.6.3.

Pictogram ONLY In Field

703.6.1 Pictogram Field. Pictograms shall have a field with a height of 6 inches (150 mm) minimum. Characters or Braille shall not be in the pictogram field.

703.6.2 Finish and Contrast. Pictograms and their fields shall have a non-glare finish. Pictograms shall contrast with their fields, with either a light pictogram on a dark field or a dark pictogram on a light field.

703.6.3 Text Descriptors. Where text descriptors for pictograms are required, they shall be directly below or adjacent to the pictogram and shall comply with Section 703.2.

703.7 Symbols of Accessibility. Symbols of accessibility shall comply with Sections 703.7.1 through 703.7.2.

703.7.1 Finish and Contrast. Symbols of accessibility and their backgrounds shall have a non-glare finish. Symbols of accessibility shall contrast with their backgrounds, with either a light symbol on a dark background or a dark symbol on a light background.

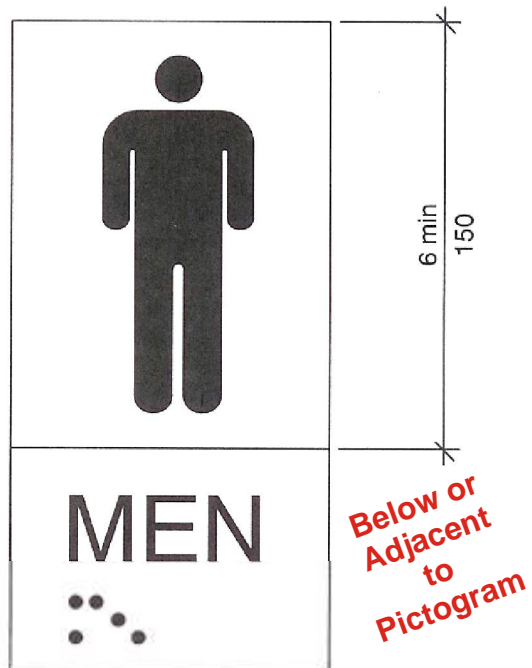


Fig. 703.6.1 Pictogram Field